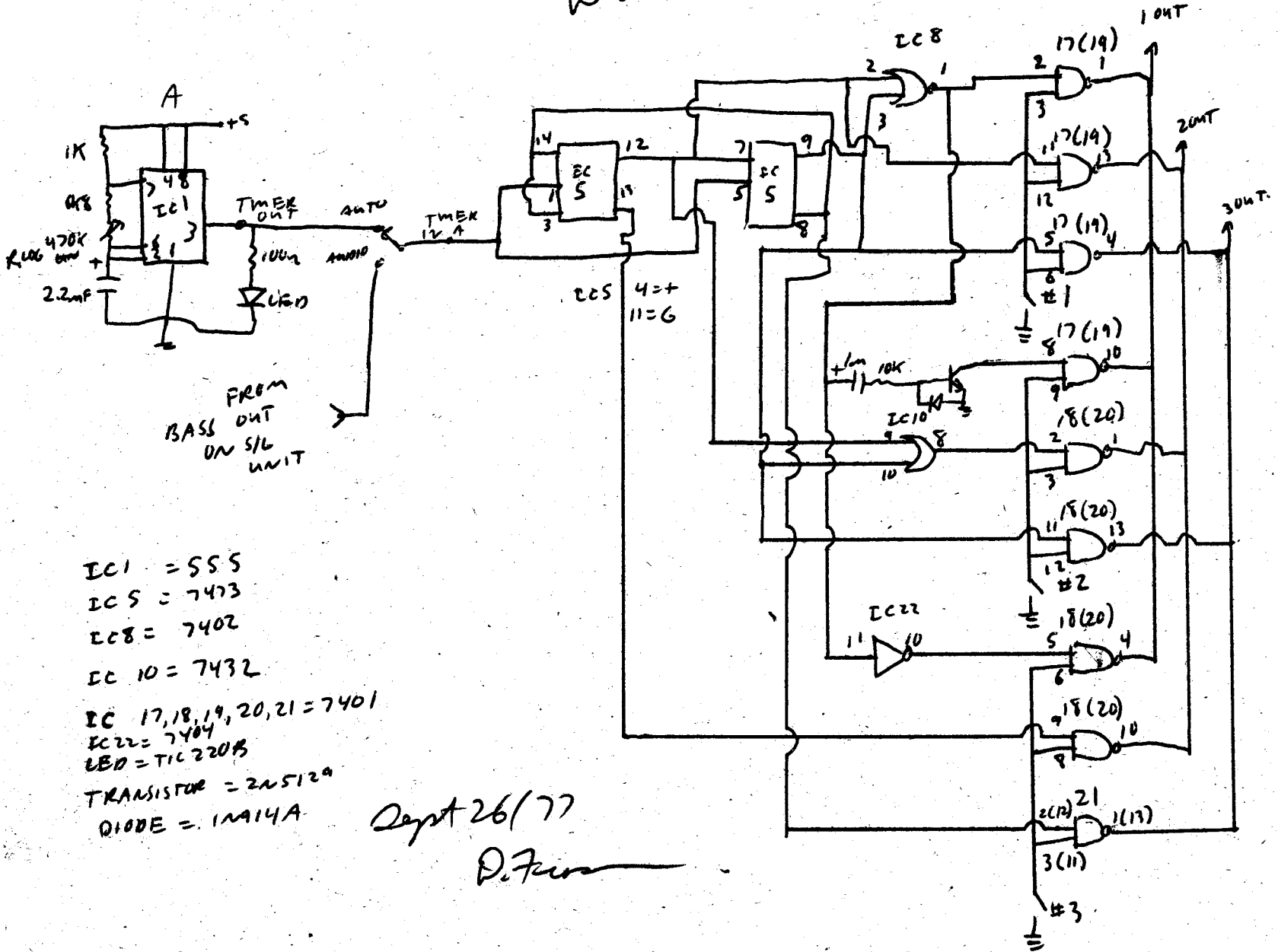


1, 2, 3

# Dale Holland Unit



- IC1 = 555
- IC5 = 7473
- IC8 = 7402
- IC10 = 7432
- IC 17, 18, 19, 20, 21 = 7401
- IC22 = 7404
- LED = TIC 220B
- TRANSISTOR = 2N5124
- DIODE = 1N414A

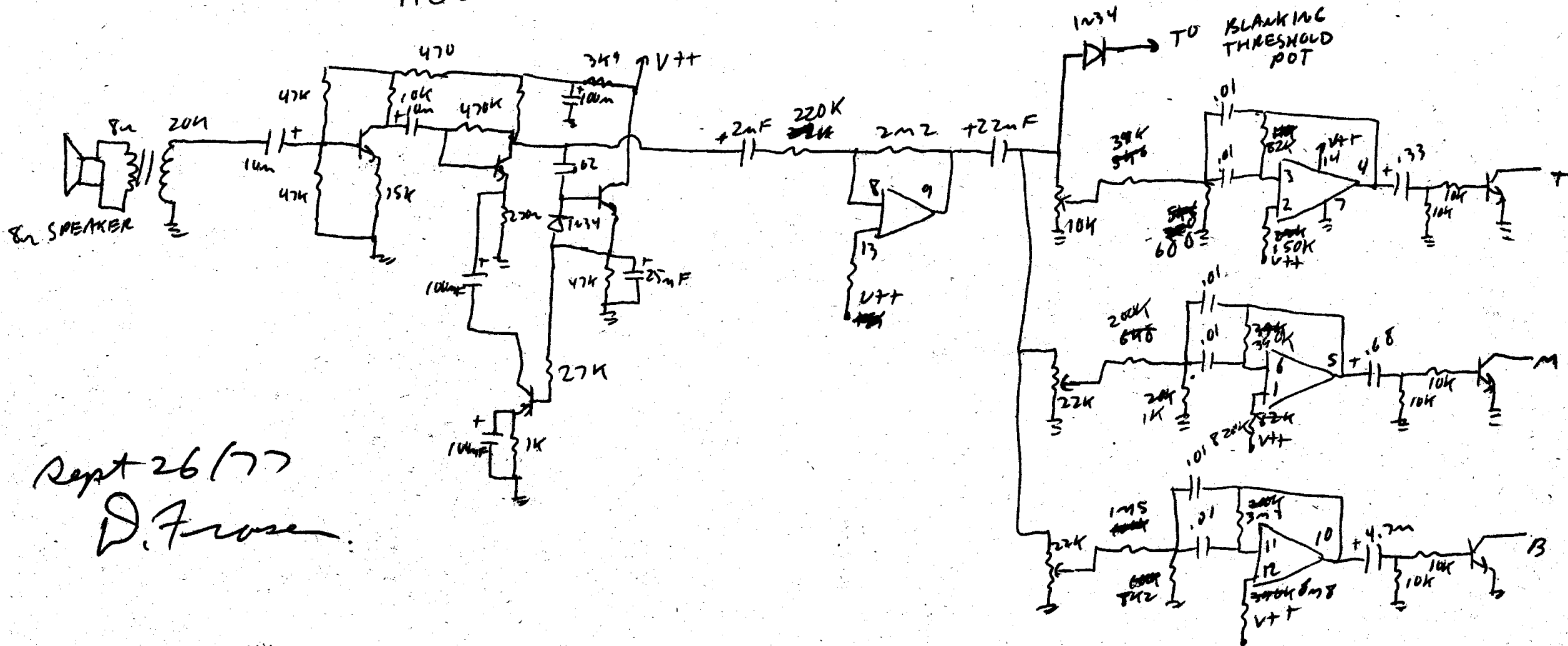
Sept 26/77  
 D. F. ...

S/L

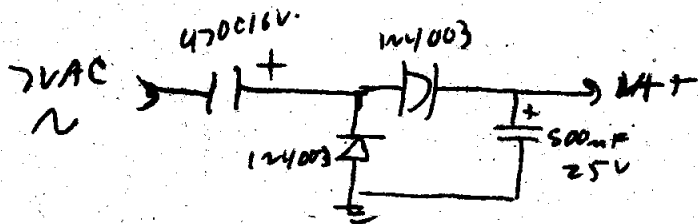
SECTION

Dale Ballard Unit

AGC UNIT



Sept 26/77  
D. F. Rose

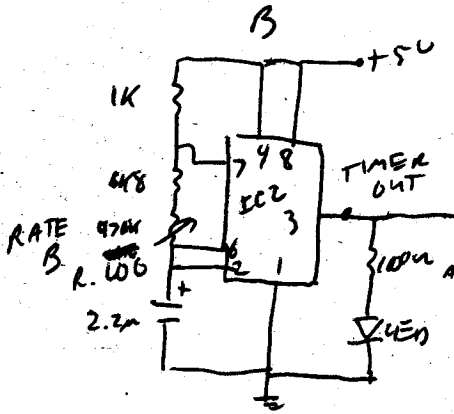


ALL NPN'S = 2N5129  $\beta \geq 100$   
PNP = 2N404A

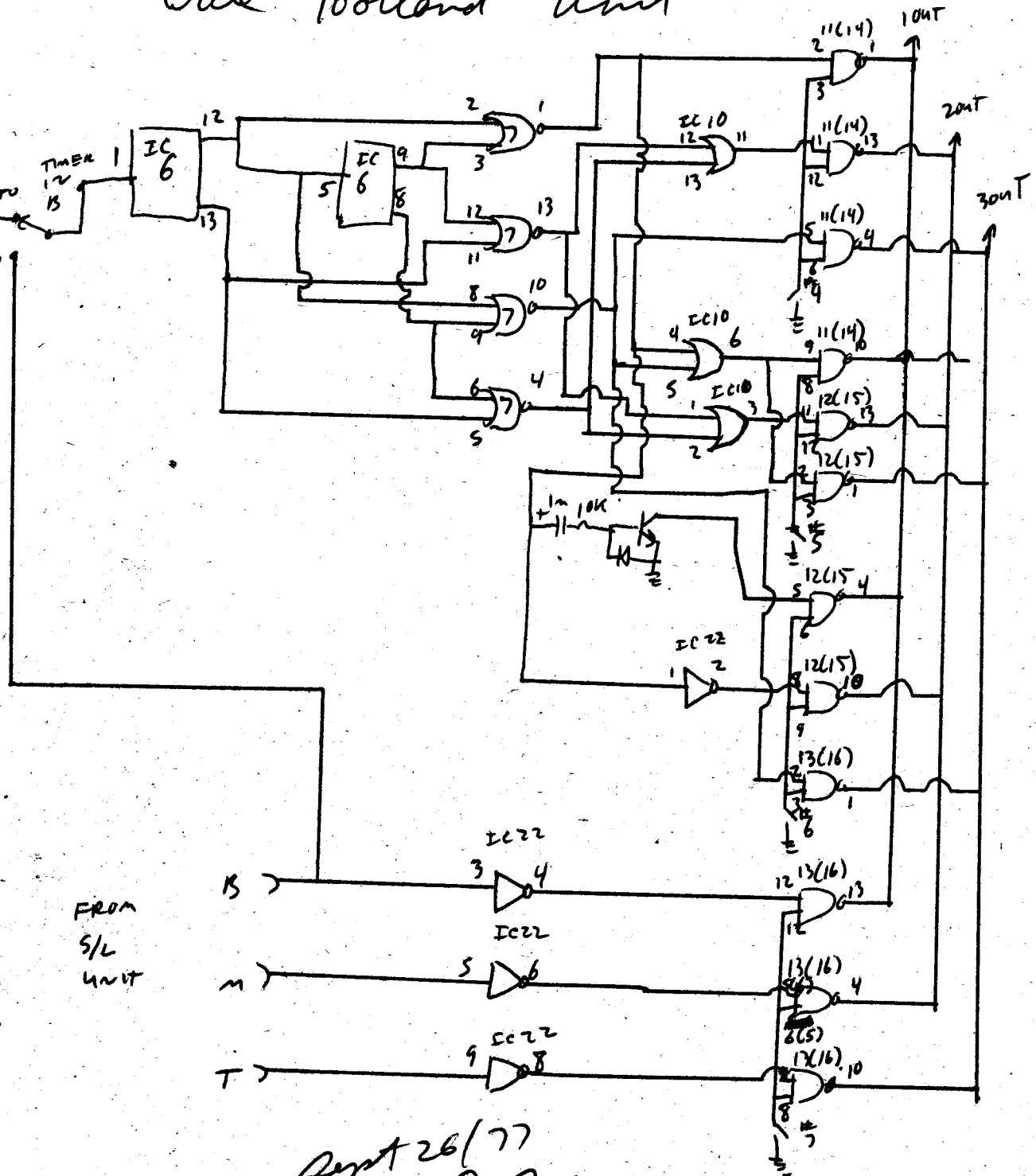
IC = LM3900

4, 5, 6, 7

# Duke Holland Unit

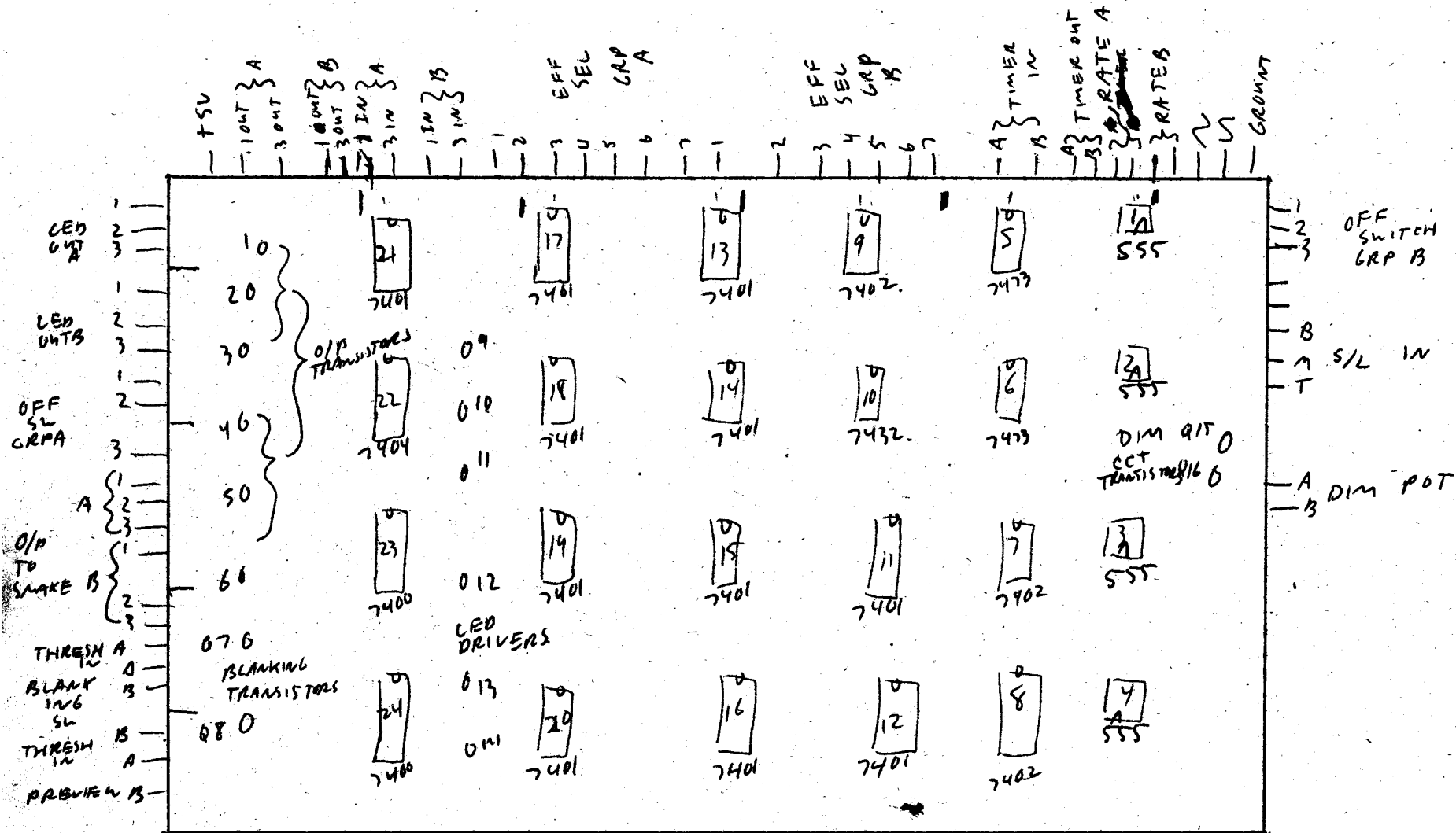


- IC2 = 555
- IC6 = 7473
- IC7 = 7402
- IC10 = 7432
- IC11, 12, 13, 14, 15, 16 = 7401
- IC22 = 7404
- LED = T1L22UB
- TRANSISTOR = 2N5129
- DIODE = 1N914A



Sept 26/77  
 D. F. Rose

# Dale Holland Unit



BOARD LAYOUT  
 PIC #'S

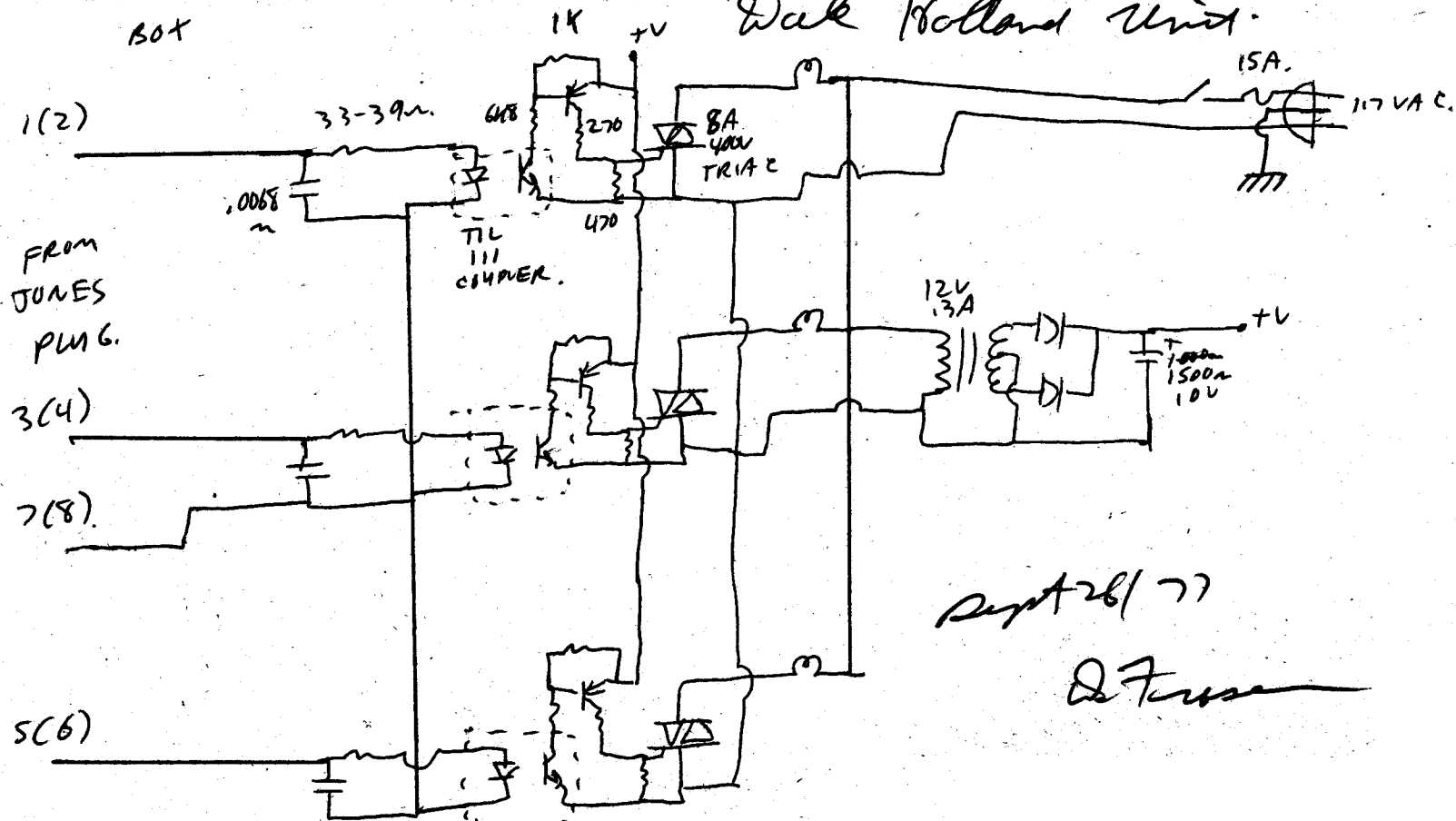
Sept 26 (77)

D. F. ...

POWER

BOX

Dak Holland Unit



FROM  
JONES  
PLUG.

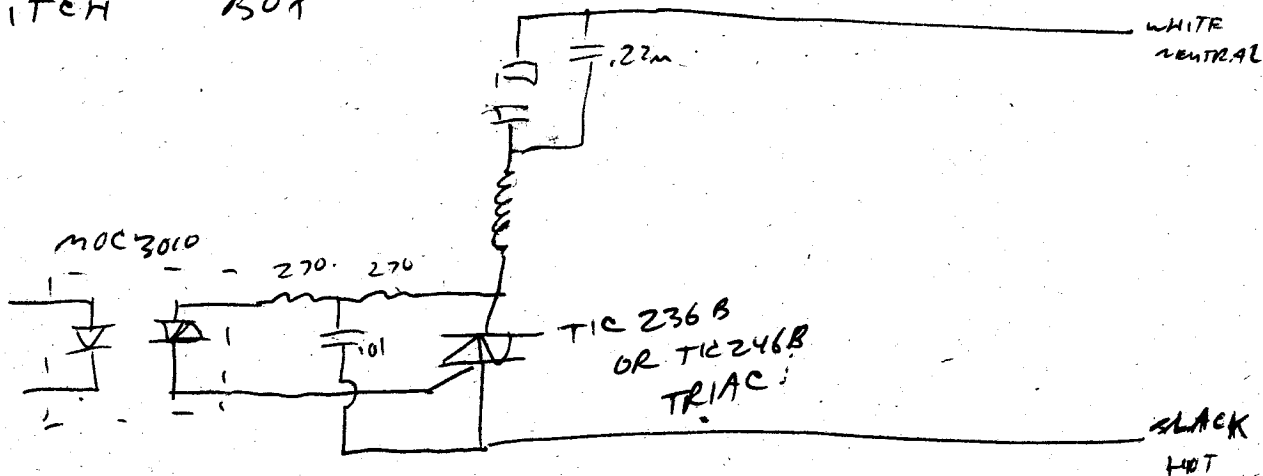
Sept 26/77

D. F. F.

PNP 'S = 2N3906-



NEW SWITCH BOX



12 TIMES

2 GROUPS OF 6

June 1/75  
D. Frosman

